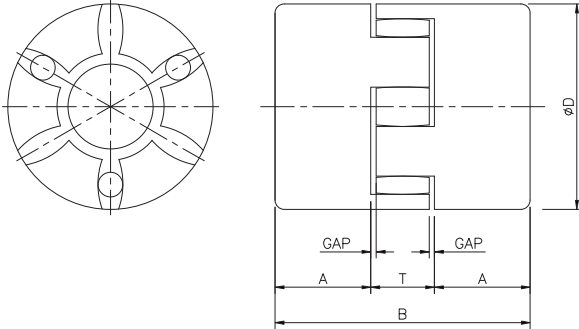


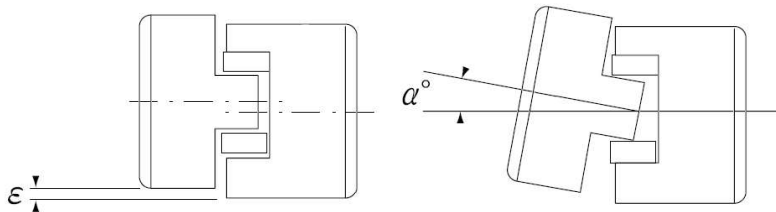
06 JAW COUPLING

Characteristics & Advantages

The Jaw Coupling has a simple structure and excellent shock absorption. The price is low and maintenance is simple. For many years, this has been one of the most widely used couplings.



Size	Torque Rating (kg · m)	Bore Dia (mm)		Torsion angle	Dimensions (mm)				Gap (mm)	Cplg Wt (kg)
		max	min		D	A	T	B		
25	0.4	11	5	3.2°	25	12	11	35	1	0.08
35	1.0	14	7		35	18.5	13	50	1.5	0.3
48	2.5	19	11		48	24	17	65	1.5	0.5
58	3.4	24	14		58	27	18	72	1.5	0.9
68	12	28	19		68	35	20	90	1.5	1.3
78	32	38	19		78	35	22	92	1.5	2.5
98	65	45	28		98	38.5	29	106	2.5	4.4
118	90	60	38		118	45	30	120	3	7.8
135	125	75	42		135	46	33	125	3.5	10.0



Operating temperature: 34° to 90°
Maximum shortterm temperature: 120°

- 90+5A Shore hardness level, standard red color.
- Resistant to oil, grease and many solvents.
- Excellent shock and vibration damping properties, with good chemical resistance.
- Unique concave pocket eliminates edge pressures and allows prolonged wear resistance of the elastomeric spider.

Size No.	25	35	48	58	68	78	98	118	135	160	200
Angular misallgnment (εmm)	0.15	0.2	0.4	0.8	1.0	1.4					
Parallel misallgnment (α °)	1.3										